

BRADEN LB400C

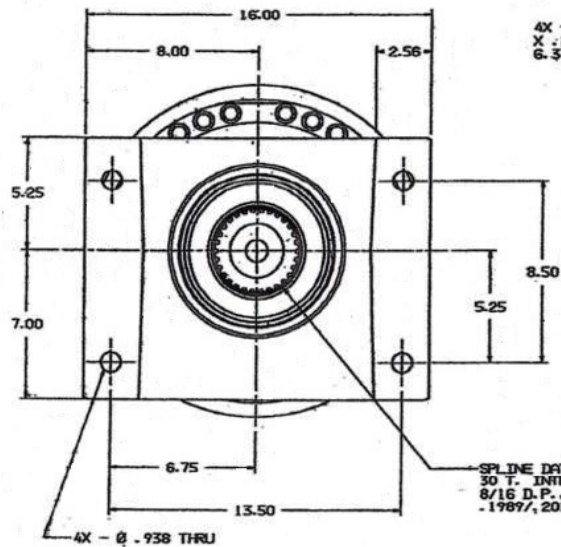
RATIOS: 102.2:1 AND 158.9:1

RATING: 480,000 IN LBS @ 4.365 RPM
 MAXIMUM JACKING AND HOLDING LOAD

640,000 IN-LBS - MAXIMUM COMBINED LOADING

MOTOR MOUNTING PAD: SAE "C"

WEIGHT: 502 LBS.



4X - 1/2-13UNC-2B
 X .88 DP ON A
 6.375 B.C.

